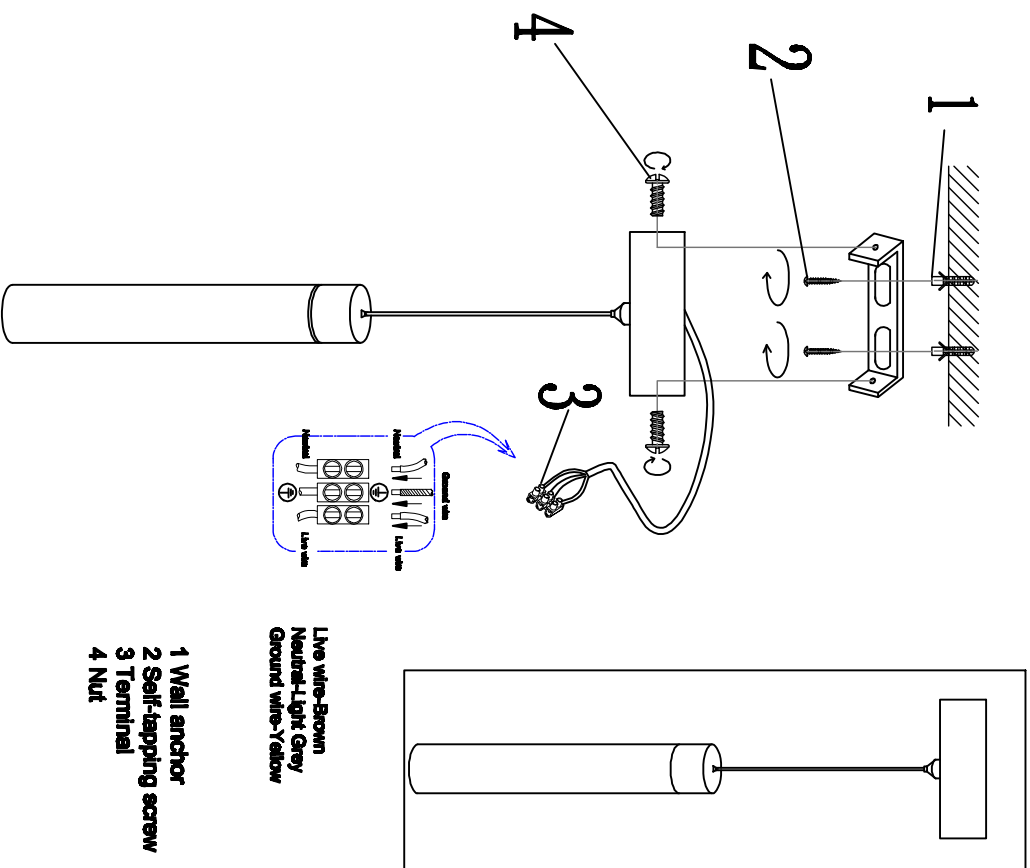


## ENGLISH

### Specification of installation

In order to ensure safety use, please notice the following items:

- Read and understand the whole Specification.
- Suitable for the use of 220-240V and 50-60Hz.
- Please wear gloves as installment and avoid rot on the surfaces of plating.
- Must be installed on the fixed phase and be checked annually.
- Please turn off the lighting source by soft switch as cleaning prohibited to use of rotted detergent.
- Please connect with the local sales service center when there are any abnormally.

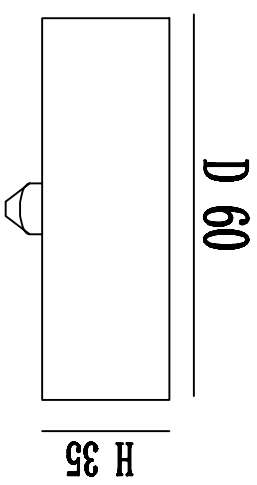


Live wire-Brown  
Neutral-Light Grey/  
Ground wire-Yellow

- 1 Wall anchor
- 2 Self-tapping screw
- 3 Terminal
- 4 Nut

Product coding: CLT 036C800 WH  
CLT 036C800 BL

## CEILING PAN SIZE:



## FIGURE SIZE:

